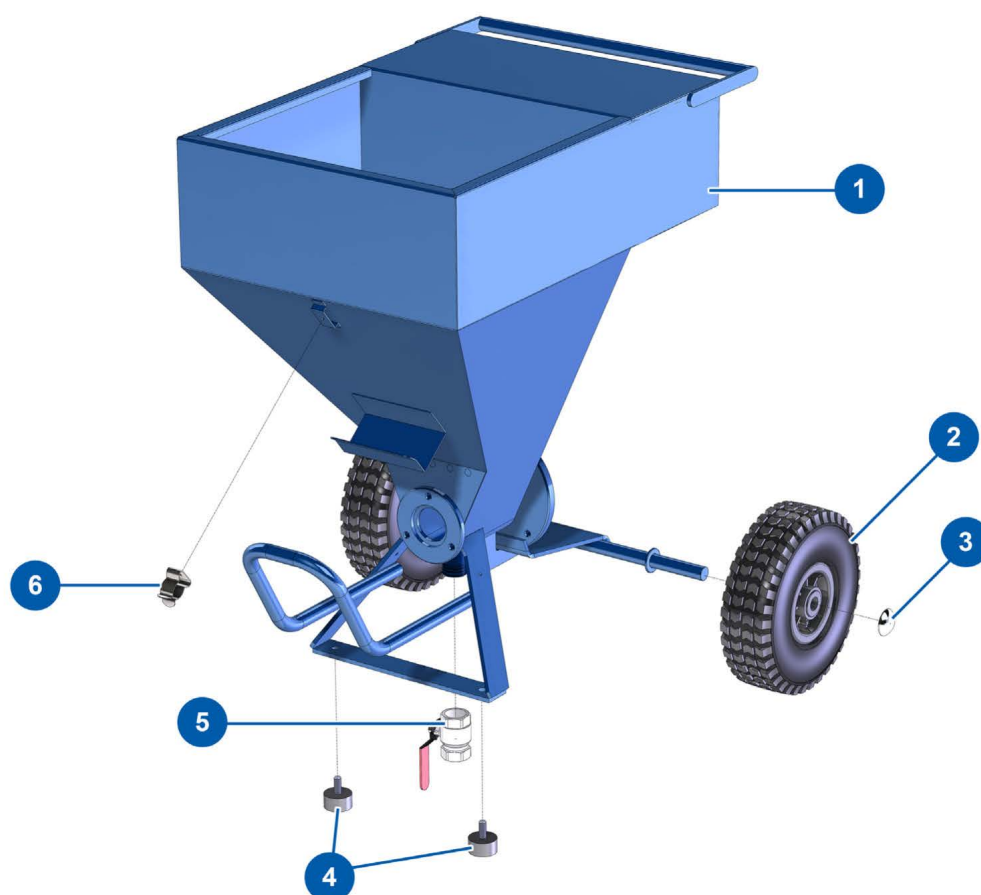
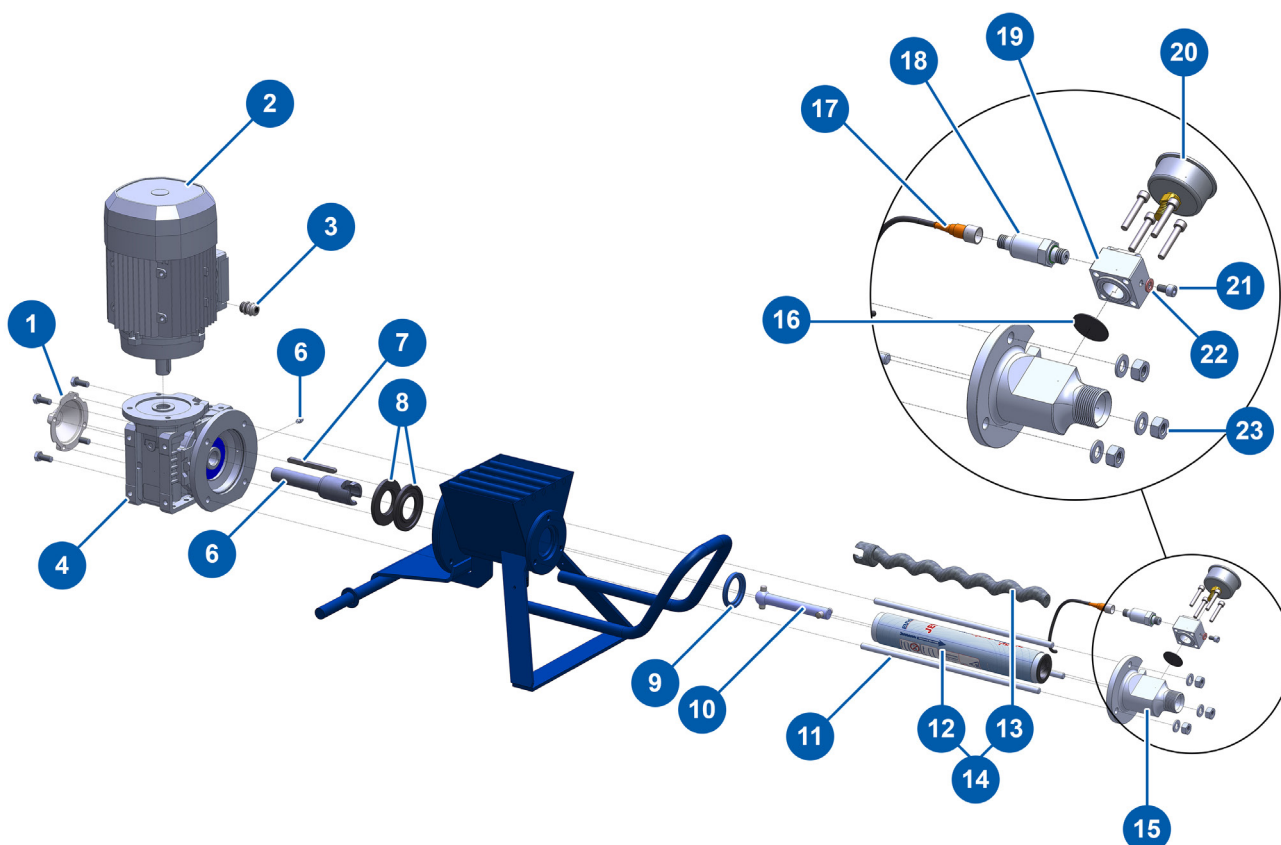


General view



1	90722	14P machine hopper
2	80001	Complete wheel 260 shaft of 20 for 6,8,14P, MPE 80 and 200, 7000z, 9000z
3	90281	Chromed clips Ø 20
4	30145	Ø 40 x 20 M10 stop
5	70031	Drain valve for EUROPRO 4-6-8-14 P, MPE, AG, 7000z, 9000z
6	80582	Case support spring

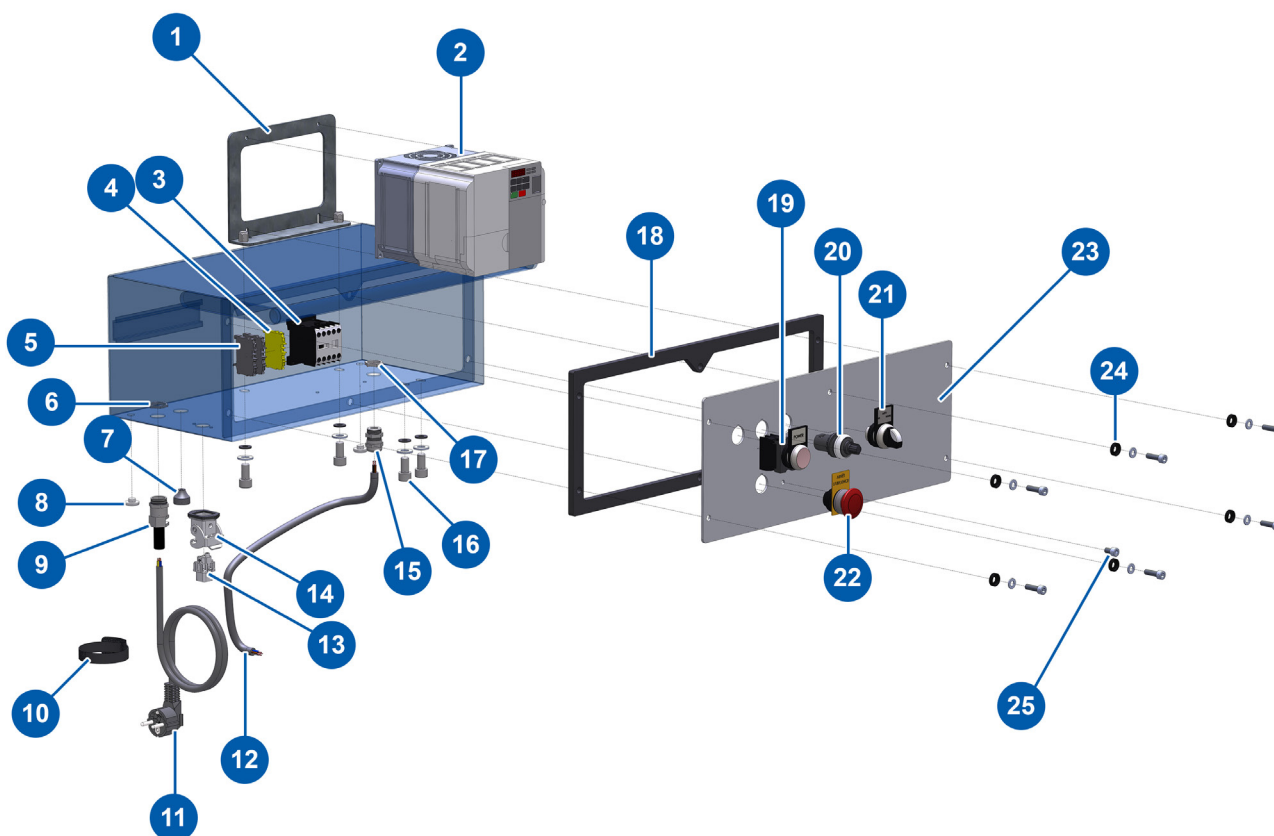
Transmission



1	90287	14 P2 & 24 P gear reducer plastic cover
2	90189	Electric motor for EUROPRO 24P
3	30040	Nickel plated watertight cable gland of 11 CEM
4	13458	Speed reducer for JETMIX 100
5	60012	M6 greaser
6	M10646	Driving shaft for EUROPRO MINIJET 120
7	90750	Rounded parallel key 8 x 7 x 100 for 24 P and 24 PT
8	90726	Spi seal 40 x 80 x 7 for 14P
9	80492	14 P stator reduction ring
10	M10650	Connecting rod for MINIJET 120
11	M10226	Fastening tie rod for JETPRO 80
12	MI3F00529100	EUROPRO JET 2 pump stator
13	MI7009107700	EUROPRO JET 2 pump HR chromed rotor bayonet head
14	30791	Rotor/Stator kit for EUROPRO JET 2 pump

15	M10227	Stator flange for JETPRO 80
16	12913	Pump nose manometer membrane for JETPRO 80, 120, JETBAG 120
17	12409	M12 straight female connector with 2m cable
18	12560	250 bar pressure sensor for JETPRO and JETBAG 120
19	M10228	Stator flange lid for JETPRO 80
20	12623	63 mm axial manometer 1/4 conical - 0 to 160 bar
21	90798	M6 x 10 cylindrical head screw - CP60
22	12765	Copper seal for JETPRO 80 pump nose
23	90453	M 10 nut

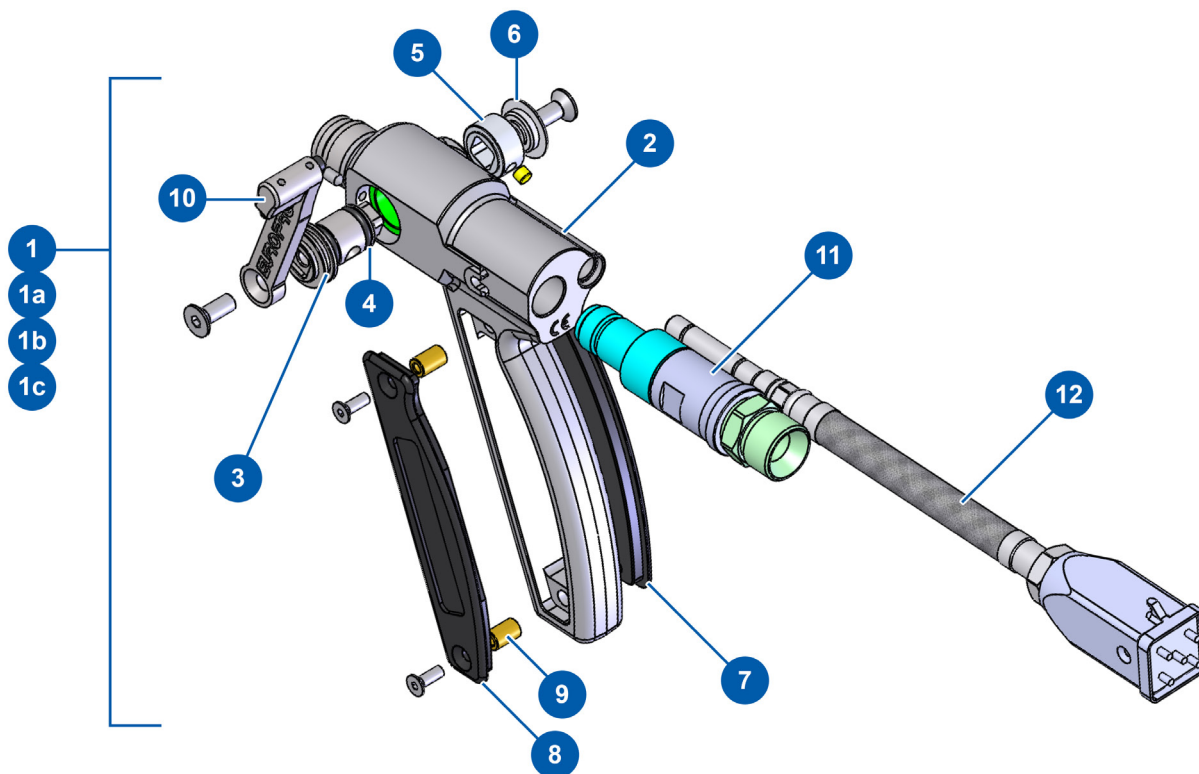
Electrical box



1	80472	14 P control support
2	13089	Inverter for JETPRO 100
3	30011	230 Volt coil switch for sprayer
4	30038	Yellow and green conductive block 6 mm ²
5	80467	Grey conductor block 4 mm ²
6	30060	11mm cable gland nut
7	11564	M 16 grey rubber cable gland
8	80397	Water exhaust cork for electrical box
9	80450	cable gland for 11mm brass supply cable
10	12410	Self-gripping collar with loop 12,7 x 228 mm
11	90180	Supply cable with moulded plug 3G 1,5 mm ²
12	90606	4G1.5 armored cable
13	11914	Female insert 4p + G
14	11915	1 lever blowing machine insulating base 3 p + T

15	30040	Nickel plated watertight cable gland of 11 CEM
16	80668	Cylindrical head screw 10 x 20
17	30333	Cable gland locknut of 11 CEM
18	90734	EUROPRO 14 P box gasket
19	30034	Complete ON button
20	80645	Spraying machine complete potentiometer from MARCH 2003
21	14180	MINIJET complete MANU-AUTO-REVERSE button
22	90038	Complete EMERGENCY STOP button Ø 22
23	30272	14 P electrical box holder
24	80573	Hollow washer Ø 6
25	90798	M6 x 10 cylindrical head screw - CP60

Spray-gun



1	13176	Complete inox JETPRO spray-gun without nozzle and nozzle holder	4	11303	12 x 2 o-ring
1a	13168	Complete JETPRO spray-gun with wireless remote control, without nozzle and nozzle holder	5	M10240	JETPRO spray-gun detection stop
1b	12549	Complete JETPRO spray-gun without nozzle and nozzle holder	6	M10303	JETPRO spray-gun supported washer
1c	M07022	JETPRO spray-gun without sensor, nozzle and nozzle holder	7	M10239	JETPRO spray-gun handle right cover
2	M10290	JETPRO spray-gun body	8	M10238	JETPRO spray-gun handle left cover
3	14222	Complete flue block/jacket for JETPRO spray-gun	9	M10242	Axle for JETPRO spray-gun handle cover
			10	M07029	JETPRO spray-gun complete trigger
			11	M07056	Turning connector for JETPRO spray-gun
			12	12766	Complete sensor kit with square plug for JETPRO spray-gun