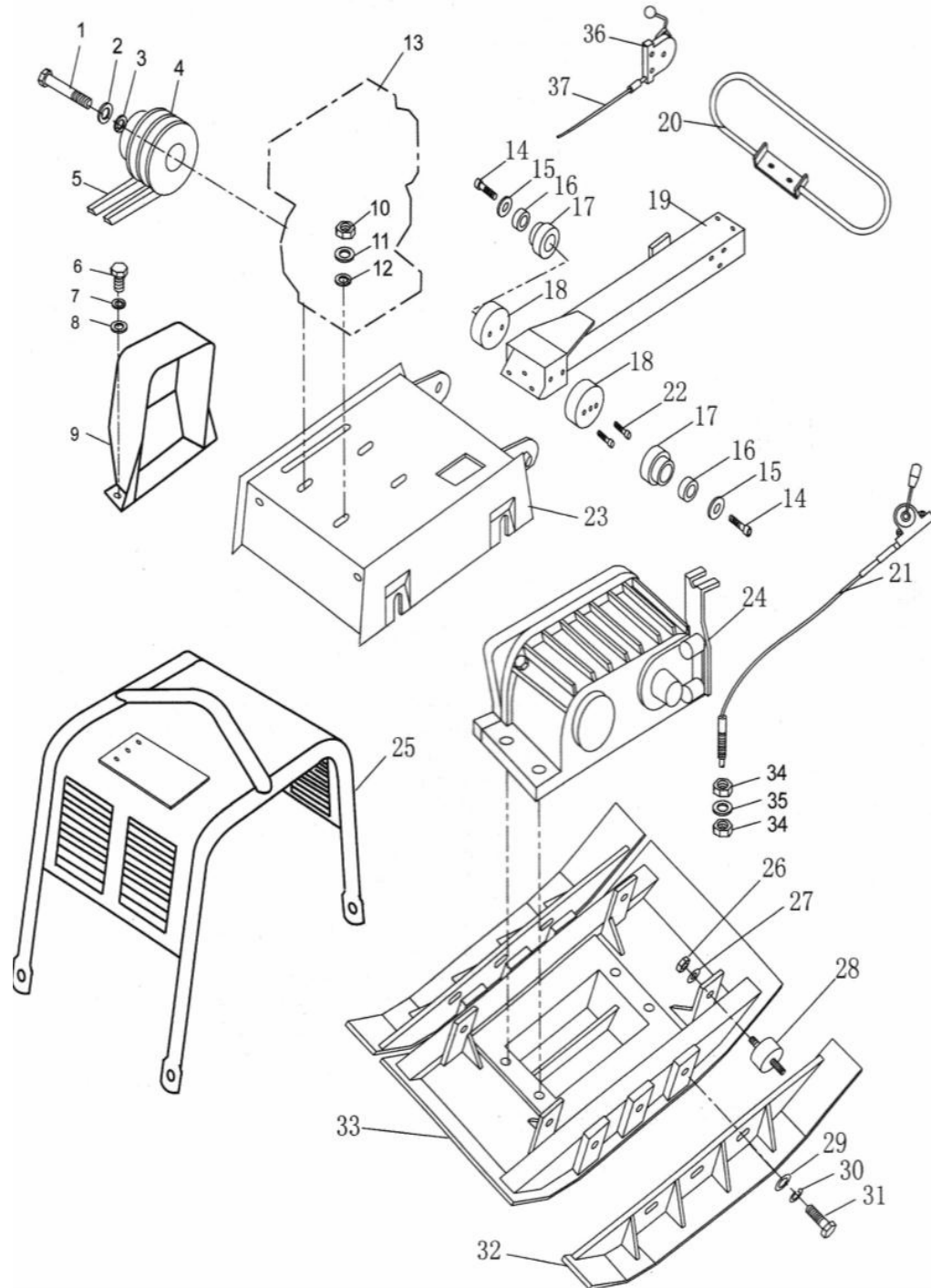
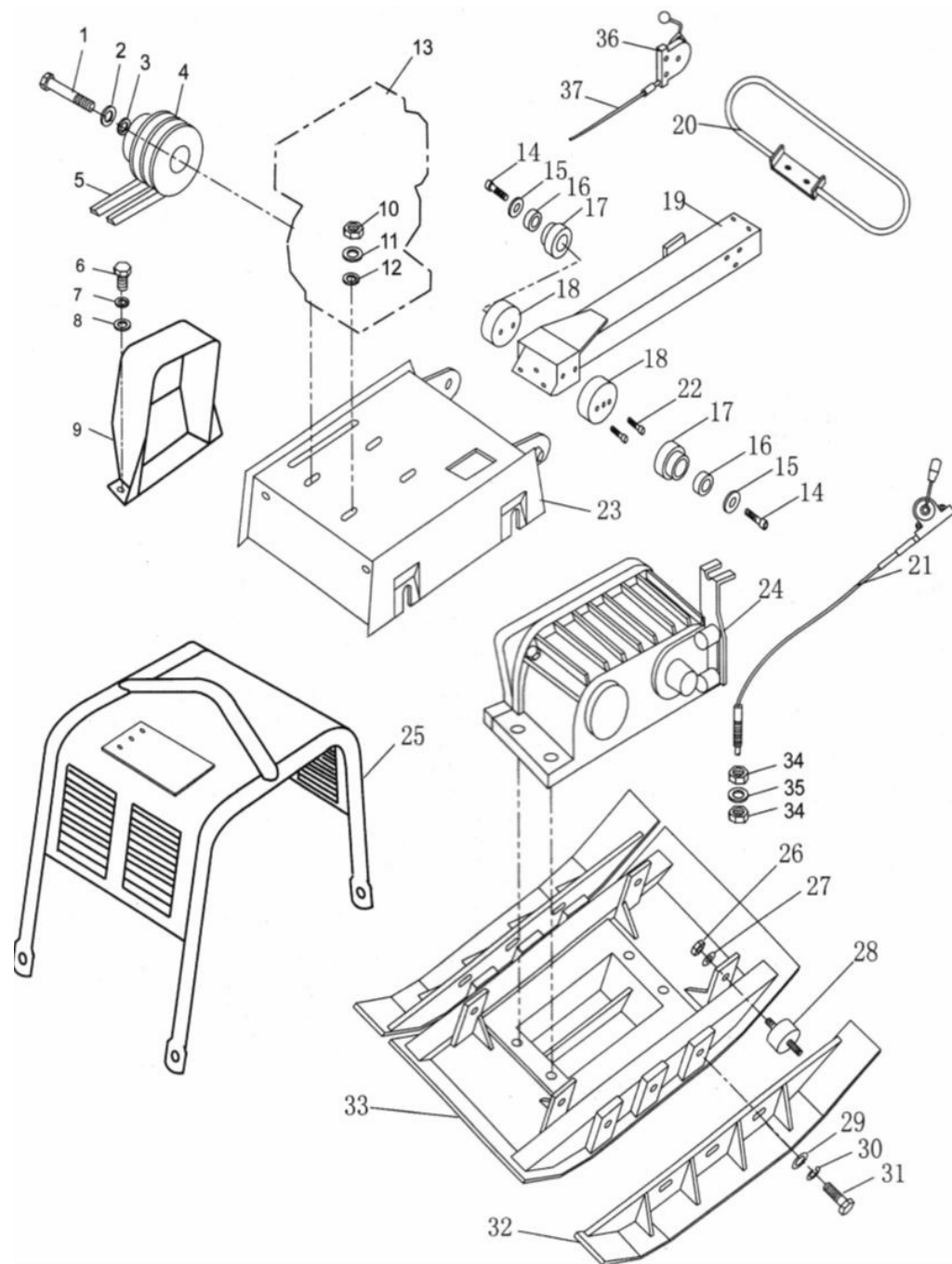


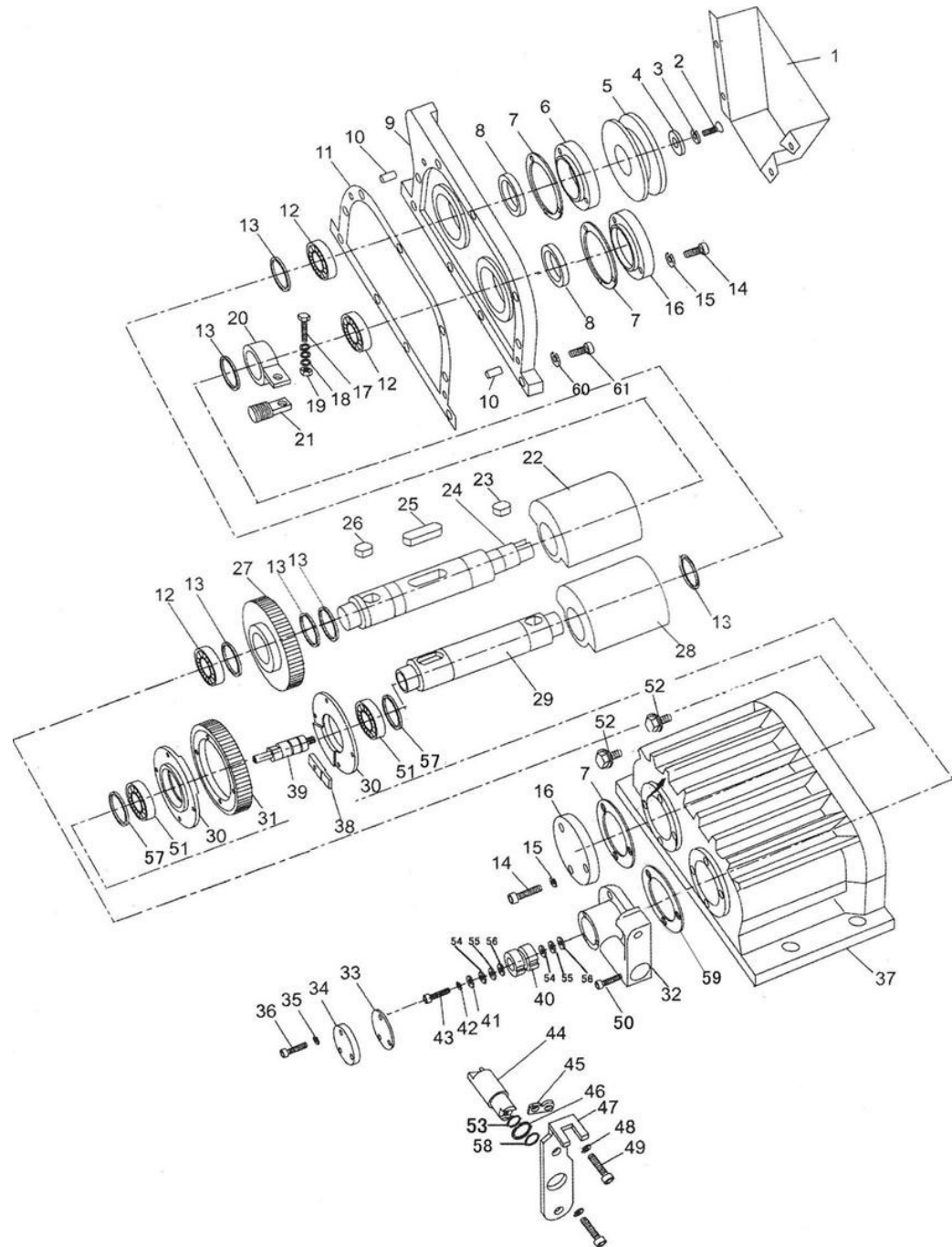
PART NO.	DESCRIPTION	Price Euro without VAT
BZPCR255-001	Hexagonal bolt M8*30	
BZPCR255-002	Spring washer \varnothing 8	
BZPCR255-003	Washer \varnothing 8	
BZPCR255-004	Clutch assembly	
BZPCR255-005	V-belt	
BZPCR255-006	socked head bolt M8*16	
BZPCR255-007	spring washer \varnothing 8	
BZPCR255-008	washer \varnothing 8	
BZPCR255-009	Belt cover(upper)	
BZPCR255-010	Nut M10	
BZPCR255-011	Spring washer \varnothing 10	
BZPCR255-012	Washer \varnothing 10	
BZPCR255-013	Engine	
BZPCR255-014	Hexagonal bolt M12*55	
BZPCR255-015	washer \varnothing 12	
BZPCR255-016	platter plate	
BZPCR255-017	lining tube	
BZPCR255-018	Shock absorber for handle	
BZPCR255-019	Handle	
BZPCR255-020	Grip	
BZPCR255-021	Vibrator control assembly	
	Vibrator control	
	Vibrator control cable	
BZPCR255-022	Hexagonal bolt M8*30	
BZPCR255-023	Base	



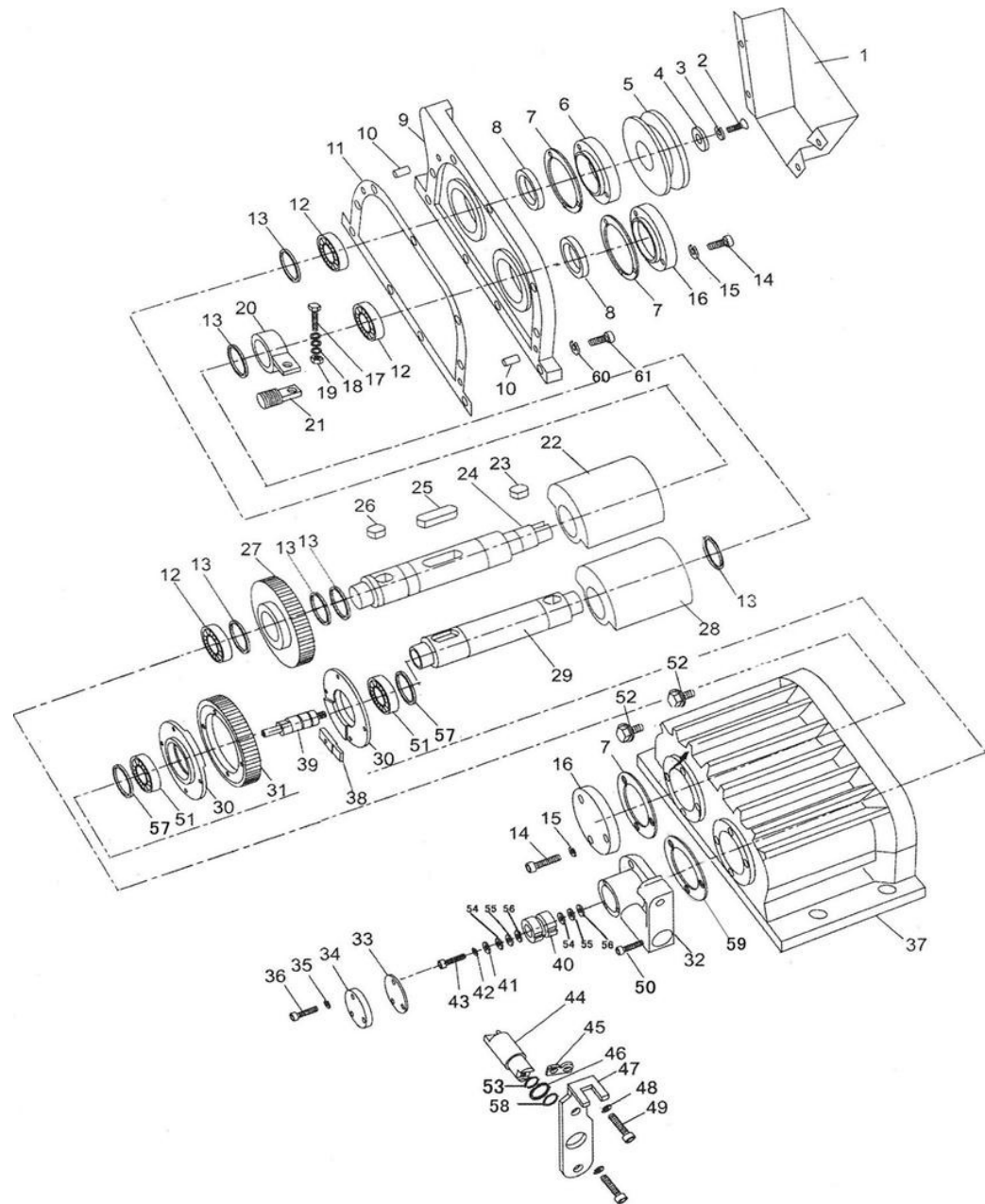
Major components		
PART NO.	DESCRIPTION	Price Euro without VAT
BZPCR255-024	Vibrator assembly	
BZPCR255-025	Guard hook	
BZPCR255-026	Nut M12	
BZPCR255-027	washer \varnothing 12	
BZPCR255-028	Shock absorber for base plate	
BZPCR255-029	washer \varnothing 16	
BZPCR255-030	spring washer \varnothing 16	
BZPCR255-031	Hexagonal bolt M16*45	
BZPCR255-032	Extension plate	
BZPCR255-033	Vibrating plate	
BZPCR255-036	Throttle lever 1	
BZPCR255-036	Throttle lever 2	
BZPCR255-037	Throttle dragline	



Major components of vibrator assy		
PART NO.	DESCRIPTION	Price Euro without VAT
BZPCR255-024-01	Belt cover (blow)	
BZPCR255-024-02	flat screw M8*20	
BZPCR255-024-03	Spring washer \varnothing 8	
BZPCR255-024-04	dished washer \varnothing 8	
BZPCR255-024-05	clutch outer	
BZPCR255-024-06	Bearing cover for pulley	
BZPCR255-024-07	paper cushion	
BZPCR255-024-08	Oil seal 28*50*10	
BZPCR255-024-09	case of vibrator	
BZPCR255-024-10	dowel ping \varnothing 8	
BZPCR255-024-11	paper cushion	
BZPCR255-024-12	Bearing NJ206	
BZPCR255-024-13	clamp spring \varnothing 42	
BZPCR255-024-14	Socket head bolt M8*20	
BZPCR255-024-15	Spring washer \varnothing 8	
BZPCR255-024-16	Bearing cover / shut-off	
BZPCR255-024-17	Socket head bolt M10*65	
BZPCR255-024-18	spring clamp	
BZPCR255-024-19	nut M10	
BZPCR255-024-20	Stopper	
BZPCR255-024-21	Screw M20	
BZPCR255-024-22	Eccentric rotator, drive	
BZPCR255-024-23	flat key 8*20	
BZPCR255-024-24	Ecc. Rotary shaft, drive	
BZPCR255-024-25	flat key 12*50	



Major components of vibrator assy		
PART NO.	DESCRIPTION	Price Euro without VAT
BZPCR255-024-26	flat key 12*20	
BZPCR255-024-27	Gear , drive	
BZPCR255-024-28	Eccentric rotator, driven	
BZPCR255-024-29	Ecc.rotary shaft, driven	
BZPCR255-024-30	Dial plate(R/L)	
BZPCR255-024-31	Gear, driven	
BZPCR255-024-32	Cylinder	
BZPCR255-024-33	paper cushion	
BZPCR255-024-34	Cover, cylinder	
BZPCR255-024-35	spring washer \varnothing 6	
BZPCR255-024-36	Socket head bolt M6*20	
BZPCR255-024-37	Vibrating case	
BZPCR255-024-38	Knock pin	
BZPCR255-024-39	Position rod	
BZPCR255-024-40	Groove	
BZPCR255-024-41	\varnothing 5*32*2.5 Washer	
BZPCR255-024-42	\varnothing 5 Spring Washer	
BZPCR255-024-43	Socket head boltM5*16	
BZPCR255-024-44	Rotator	
BZPCR255-024-45	Lever	
BZPCR255-024-46	Oil seal 20*30*6	
BZPCR255-024-47	Holder	
BZPCR255-024-48	Spring washer \varnothing 10	
BZPCR255-024-49	Socket head bolt M10*25	
BZPCR255-024-50	Socket head bolt M8*25	



Major components of vibrator assy		
PART NO.	DESCRIPTION	Price Euro without VAT
BZPCR255-024-51	Bearing 16008	
BZPCR255-024-52	oil plug M14*1.5	
BZPCR255-024-53	O-ring	
BZPCR255-024-54/55/56	Plane bearing	
BZPCR255-024-57	clmap spring \varnothing 40	
BZPCR255-024-58	clmap spring \varnothing 30	
BZPCR255-024-59	paper cushion, cylinder	
BZPCR255-024-60	washer \varnothing 10	
BZPCR255-024-61	Socket head bolt M10*30	