

**1105821**  
**SYNTESI 350 R 230V 50HZ OMOL**

**3209547\_1105821\_R20W - R20W (19/10/2020)**



**Access Platform Division**

Via San Francesco d'Assisi, 8 - 46020 Pegognaga (Mantova) - ITALY Tel. +39 0376  
554011 - Fax +39 0376 559855

[www.imergroup.com](http://www.imergroup.com)

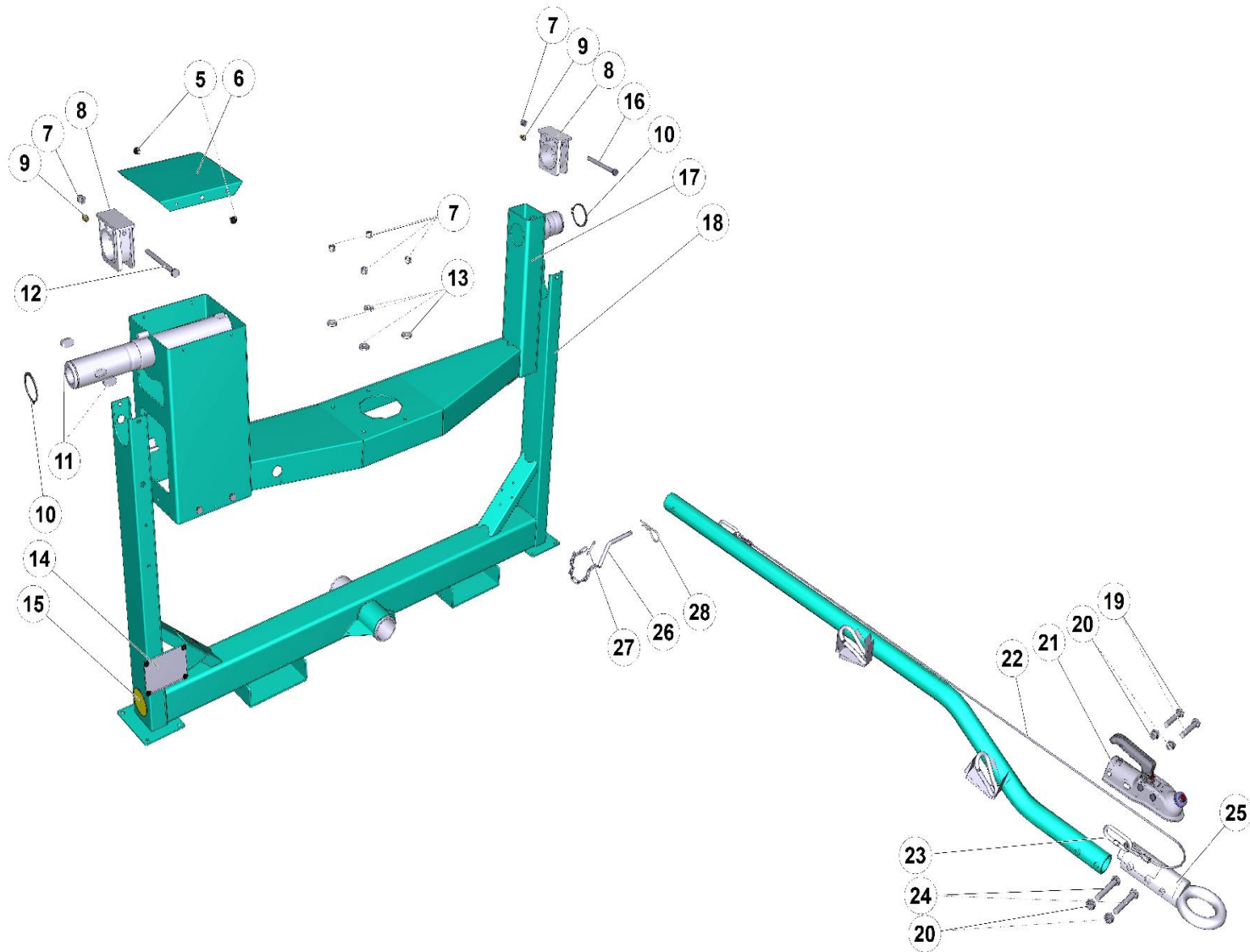
**Building Equipment Division**

Via della Meccanica, 39 (Zona Industriale Sentino) - 53040 Rapolano Terme  
(Siena) - ITALY - Tel. +39 0577 97341 - Fax +39 0577 704077

[www.imergroup.com](http://www.imergroup.com)

[www.imerglobalcustomercare.com](http://www.imerglobalcustomercare.com)

# UPPER FRAME



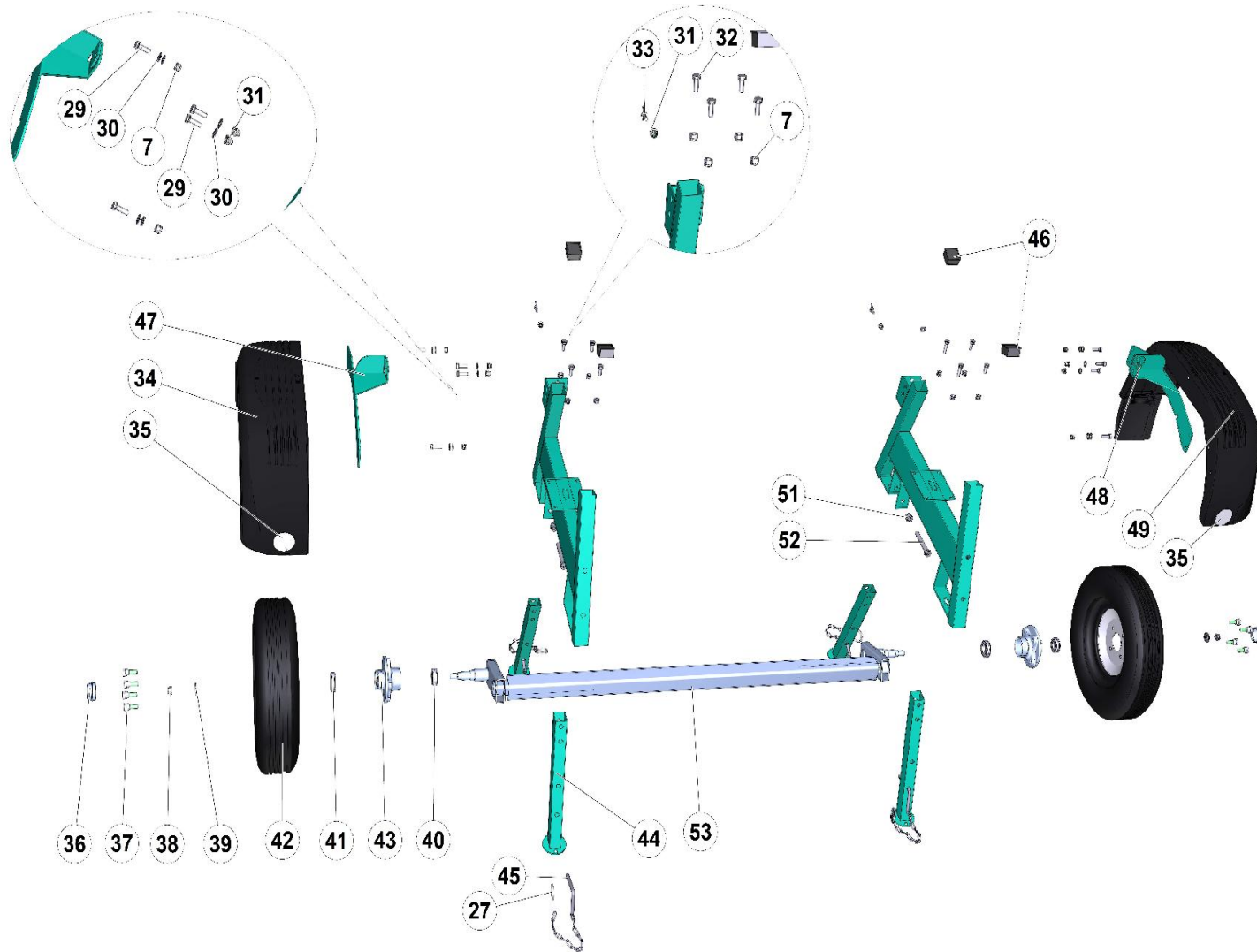


N.	CODE	DESCRIPTION	UM	QTY
5	3211175	ALUMINUM RIVET 4.8X16 T16	PZ	2
6	3228749	ARM LOCK	PZ	1
7	2223920	SELF-LOCKING NUT	PZ	5
8	3209009	BLOCK SUPPORT/CONC.MIXER	PZ	2
9	2230350	Grease nipple	PZ	2
10	2227205	STOP RING	PZ	2
11	3208776	PIN	PZ	2
12	2222154	SCREW	PZ	1
13	3209178	WASHER/CONC.MIXER	PZ	4
14	3233404	EUROPEAN APPROVAL PLATE SYNTESI 350E		1
15	3209961	REFLECTOR YELLOW COLOUR	PZ	1
16	1222694	SCREW	PZ	1
17	3209022	Arm	PZ	1
18	3209197	CRADLE	PZ	1
19	2222008	SCREW	PZ	2
20	2223921	NUT	PZ	4
21	1169257			1
22	3209859	CABLE	PZ	1
23	3209586	HANDLE	PZ	1
24	2222049	SCREW	PZ	2
25	3208628	Tow bar	PZ	1



N.	CODE	DESCRIPTION	UM	QTY
26	3209587	Pin	PZ	1
27	2227048	CLIP/CONC.MIXER	PZ	2
28	2226700	SPLIT PIN	PZ	1

LOWER FRAME



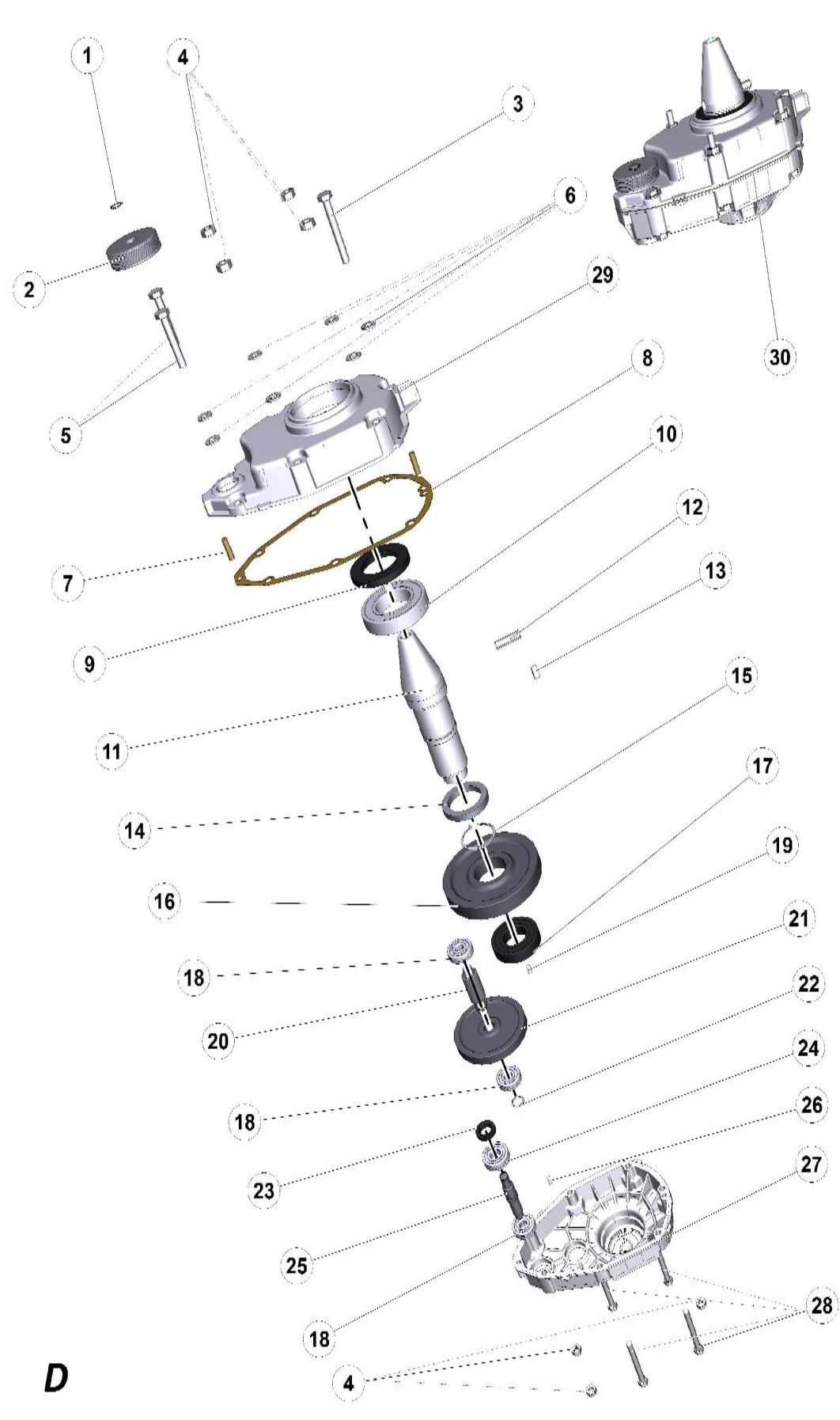


N.	CODE	DESCRIPTION	UM	QTY
7	2223920	SELF-LOCKING NUT	PZ	8
27	2227048	CLIP/CONC.MIXER	PZ	4
29	2222076	SCREW/SAW	PZ	8
30	2224140	ROLLER 6593	PZ	16
31	2223923	LOCK NUT	PZ	8
32	2222060	SCREW	PZ	8
33	2223018	WINGS SCREW 5449 8X20Z		2
34	3236390	RIGHT PLASTIC FENDER CONC MIXER/STEP	PZ	1
35	3209960	REFLECTOR WHITE COLOUR	PZ	2
36	3236428	NUT COVER ALKO CHASSIS	PZ	2
37	3234146	COLUMN	PZ	8
38	3236427	NUT DIN 934 M 16 ALKO CHASSIS	PZ	2
39	2224640	WASHER	PZ	2
40	2204560	Bearing	PZ	2
41	3210629	ROLLER/SAW	PZ	2
42	2211407	WHEEL/CONC.MIXER	PZ	2
43	3236429	COMPLETE HUB AL-KO 98x4 M12x1.5	PZ	2
44	3211552	SUPPORT		4
45	3208587	Pin	PZ	4
46	2257706	Terminal	PZ	4
47	3236400	RIGHT FENDER SUPPORT BRACKET S250E/G	PZ	1



N.	CODE	DESCRIPTION	UM	QTY
48	3236402	LEFT FENDER SUPPORT BRACKET S250E/G	PZ	1
49	3236391	LEFT PLASTIC FENDER CONC MIXER/STEP	PZ	1
51	3207392	NUT/MN	PZ	2
52	2222085	SCREW	PZ	2
53	3236409	WHEEL	PZ	1

GEAR BOX



**D**



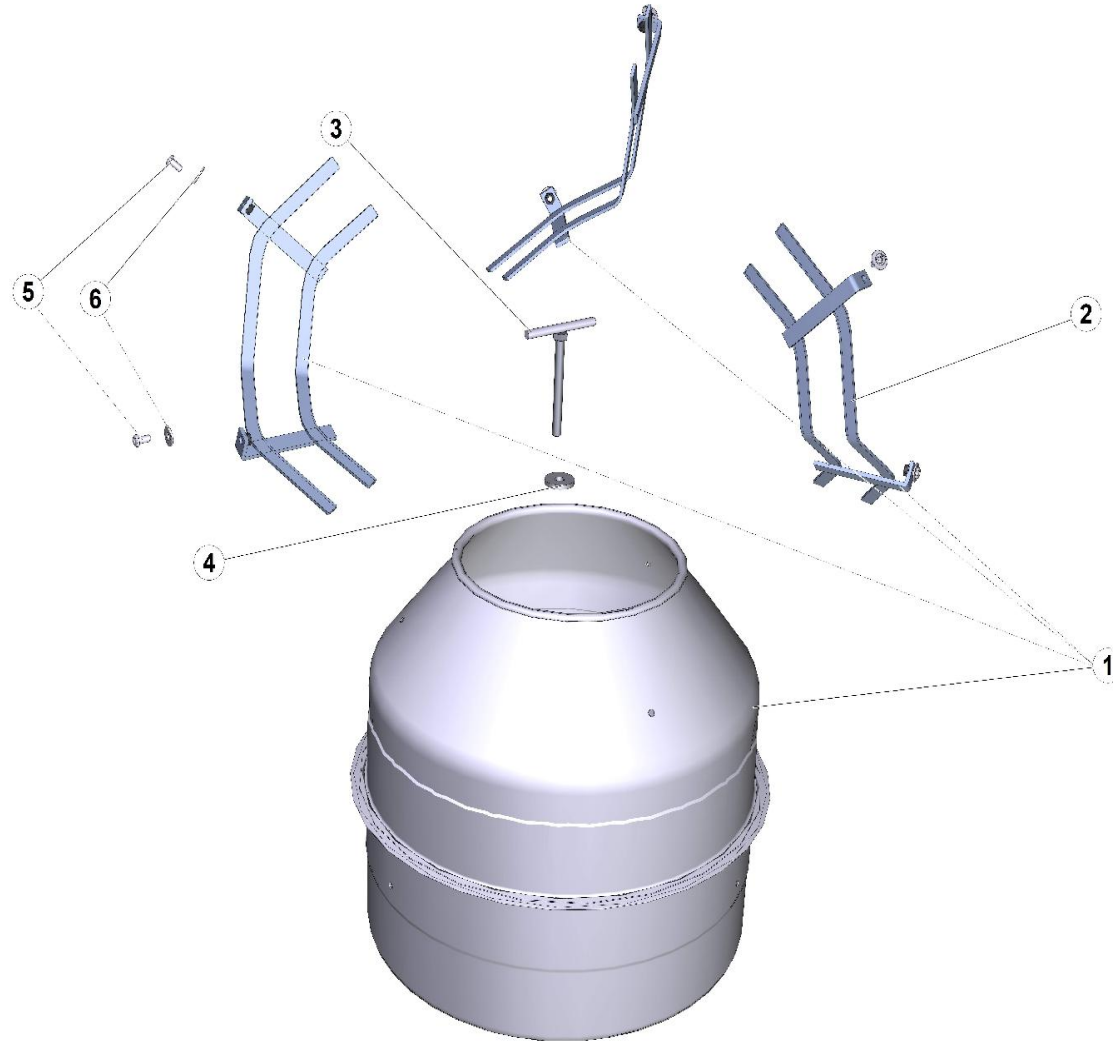


N.	CODE	DESCRIPTION	UM	QTY
1	1227330	STOP RING	PZ	1
2	3235725	PULLEY	PZ	1
3	2222145	SCREW	PZ	1
4	2223650	NUT	PZ	7
5	2222148	SCREW	PZ	2
6	2224340	ROLLER/MORTAR PUMP	PZ	6
7	3213180	Gudgeon pin	PZ	2
8	3209811	GASKET/CONC.MIXER	PZ	1
9	3213179	OIL SEAL/CONC.MIXER	PZ	1
10	2204569	Bearing	PZ	1
11	3210474	SHAFT	PZ	1
12	3213177	PIN	PZ	1
13	3213178	KEY	PZ	1
14	3208966	SPACER	PZ	1
15	2227207	STOP RING	PZ	1
16	3208970	GEAR WHEEL	PZ	1
17	3213282	BEARING/MN	PZ	1
18	3209682	Bearing	PZ	3
19	2229259	KEY	PZ	1
20	3208975	PINION	PZ	1
21	3209801	GEAR WHEEL	PZ	1



N.	CODE	DESCRIPTION	UM	QTY
22	2227320	CIRCLIP	PZ	1
23	3200094	OIL SEAL/CONC.MIXER	PZ	1
24	3208983	Bearing	PZ	1
25	3209799	SHAFT	PZ	1
26	2229250	KEY	PZ	1
27	3209514L	REDUCTION GEAR CASING	PZ	1
28	3230223	SCREW 10X100 Z	PZ	4
29	3209515L	REDUCTION GEAR CASING	PZ	1
30	3210475	REDUCTION GEAR	PZ	1

DRUM

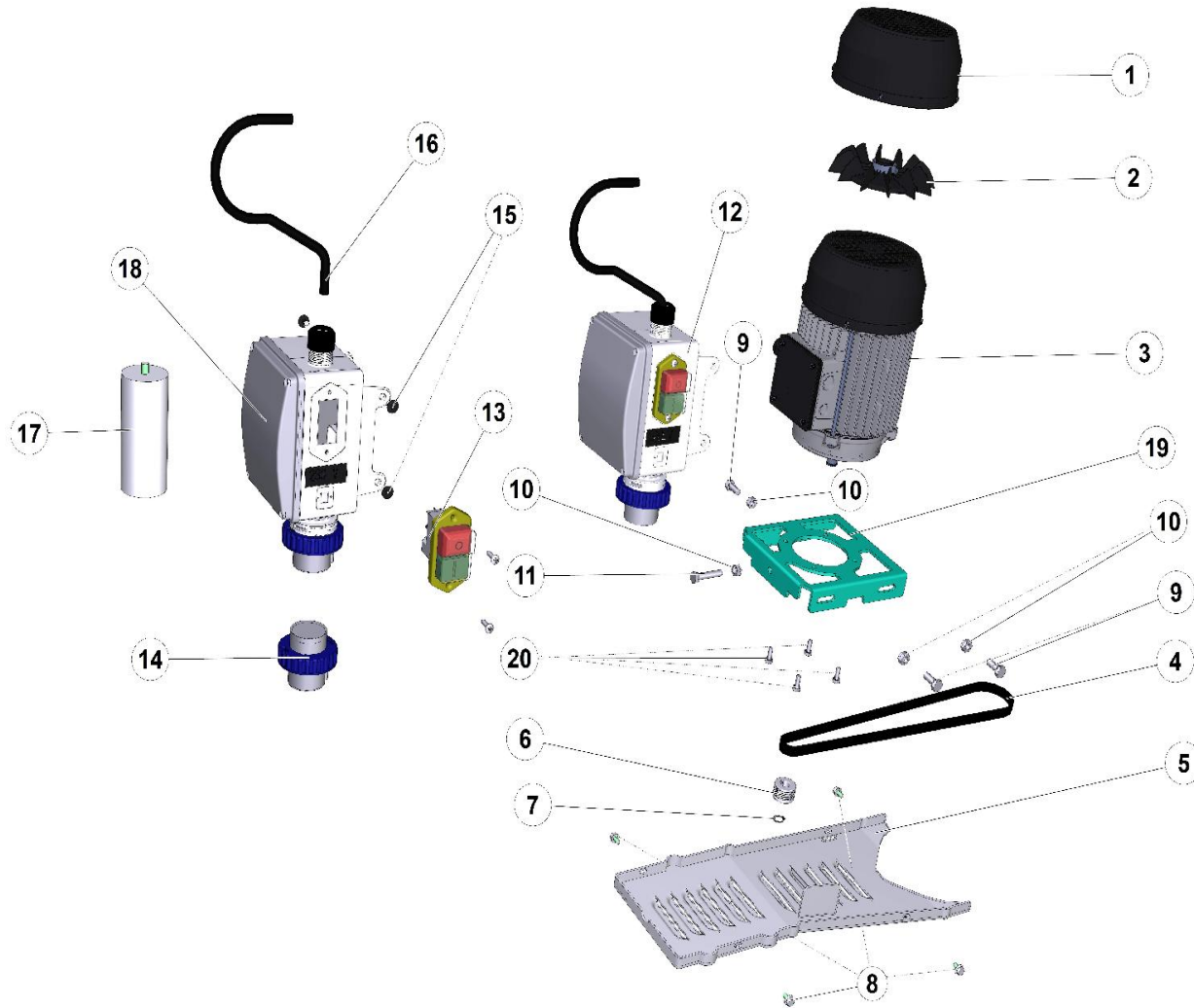


**A**



N.	CODE	DESCRIPTION	UM	QTY
1	3206635	DRUM/CONC.MIXER	PZ	1
2	2250089	Mixing blade	PZ	3
3	3210467	LEVER/CONCRETE MIXER	PZ	1
4	3210466	WASHER/CONCRETE MIXER	PZ	1
5	3231552	SCREW 10.9 7380 12X25	PZ	6
6	3201698	WASHER		6

# MOTOR ELECTRIC PANEL

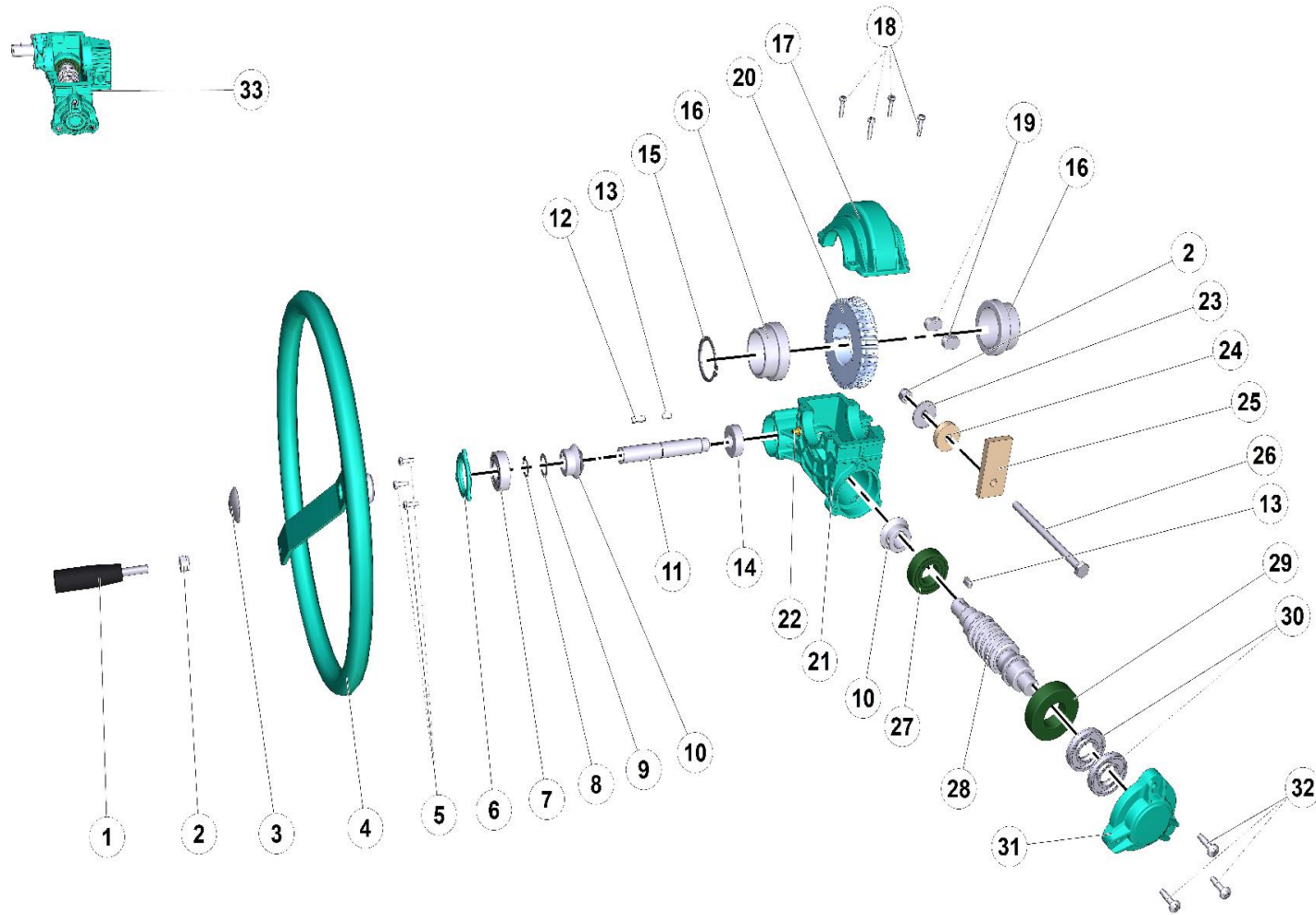


C



N.	CODE	DESCRIPTION	UM	QTY
1	3233812	FAN COVER MOT MEC-71 PLAST. SY 190/250	PZ	1
2	3226240	FAN	PZ	1
3	3234565	ELECTRIC MOT. KW 1.4 S.350 220-240V 50Hz	PZ	1
4	3235727	BELT	PZ	1
5	3209005	GUARD/CONCRETE MIXER	PZ	1
6	3208828	PULLEY/CONC.MIXER	PZ	1
7	2227214	STOP RING	PZ	1
8	3225750	BOLT/SAW	PZ	4
9	2222060	SCREW	PZ	2
10	2223570	NUT	PZ	5
11	2222190	SCREW	PZ	1
12	3229076	ELECTRIC PANEL S.350 230V50	PZ	1
13	3209337	SWITCH	PZ	1
14	3226018	PLUG	PZ	1
15	3211175	ALUMINUM RIVET 4.8X16 T16	PZ	4
16	3226030	ELECTRICAL CABLE 230V 1,5 S190-350	PZ	1
17	3229080	CAPACITOR/CONC. MIX.	PZ	1
18	3228753	Control panel casing S 300-350	PZ	1
19	3209006	SUPPORT	PZ	1
20	2222002	SCREW	PZ	4

# DRUM REDUCTION UNIT



**B**



N.	CODE	DESCRIPTION	UM	QTY
1	3206748	HANDLE	PZ	1
2	2223920	SELF-LOCKING NUT	PZ	2
3	3234355	STOP RING Z WITH CAP D.20 INOX	PZ	1
4	3228750	HANDWHEEL SYNTESI	PZ	1
5	2222465	SCREW	PZ	3
6	3234642	REDUCER COVER	PZ	1
7	2204560	Bearing	PZ	1
8	2227320	CIRCLIP	PZ	1
9	3227876	WASHER	PZ	1
10	3213264	PINION/CONC.MIXER	PZ	2
11	3208771	SHAFT/CONC.MIXER	PZ	1
12	2229300	KEY/CONC.MIXER	PZ	1
13	2229259	KEY	PZ	2
14	3232764	Bearing	PZ	1
15	2227205	STOP RING	PZ	1
16	3208770	PIN	PZ	2
17	3234640	CAP/CONC.MIXER	PZ	1
18	2222467	SCREW	PZ	4
19	3208776	PIN	PZ	2
20	3208773	GEAR WHEEL/CONC.MIXER	PZ	1
21	3234639	REDUCTION GEAR CASING	PZ	1





N.	CODE	DESCRIPTION	UM	QTY
22	2230350	Grease nipple	PZ	1
23	2224220	WASHER	PZ	1
24	3208790	SHOCK ABSORBER/CONC.MIXER	PZ	1
25	3208789	Damper	PZ	1
26	3210606	SCREW	PZ	1
27	2204540	Bearing	PZ	1
28	3213893	SCREW	PZ	1
29	3237097	BEARING/MN	PZ	1
30	3213811	STOP RING	PZ	2
31	3234641	COVER	PZ	1
32	3209987	SCREW	PZ	3
33	3209786	TILTING DRUM GEARBOX/CONC.MIXER	PZ	1



**Access Platform Division**

Via San Francesco d'Assisi, 8 - 46020 Pegognaga (Mantova) - ITALY Tel. +39 0376  
554011 - Fax +39 0376 559855

[www.imergroup.com](http://www.imergroup.com)

**Building Equipment Division**

Via della Meccanica, 39 (Zona Industriale Sentino) - 53040 Rapolano Terme  
(Siena) - ITALY - Tel. +39 0577 97341 - Fax +39 0577 704077

[www.imergroup.com](http://www.imergroup.com)